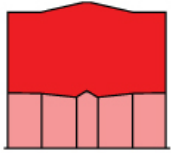


** Please return form to your sales representative or fax to Hi-Tech Seals @ 1.800.465.5866*

DR112



Contact Information

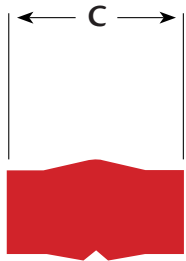
Name: _____

Company: _____

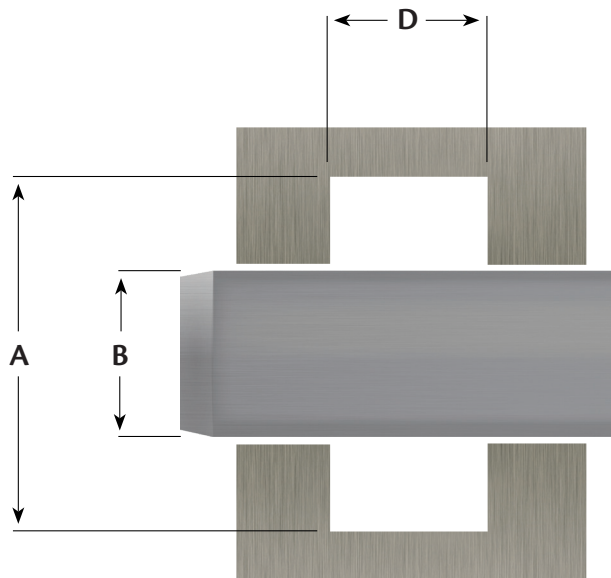
Address: _____

Email: _____

Seal Dimensions



Hardware Dimensions



A: _____

B: _____

C: _____

D: _____

Material: _____

Additional Notes: _____

