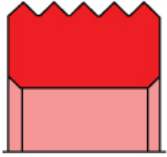


*\* Please return form to your sales representative or fax to Hi-Tech Seals @ 1.800.465.5866*

**DR105**



**Contact Information**

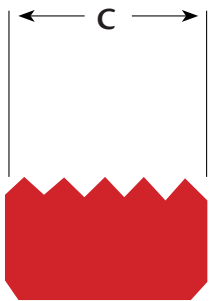
Name: \_\_\_\_\_

Company: \_\_\_\_\_

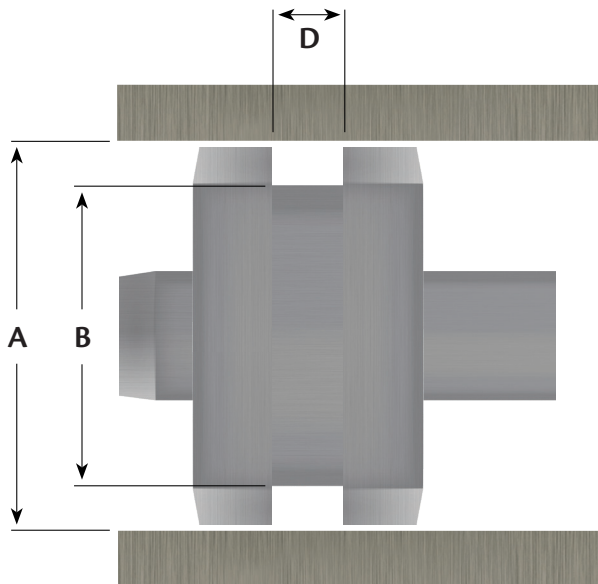
Address: \_\_\_\_\_

Email: \_\_\_\_\_

**Seal Dimensions**



**Hardware Dimensions**



A: \_\_\_\_\_

B: \_\_\_\_\_

C: \_\_\_\_\_

D: \_\_\_\_\_

**Material:** \_\_\_\_\_

*Additional Notes:* \_\_\_\_\_

\_\_\_\_\_  
 \_\_\_\_\_  
 \_\_\_\_\_

