

*\* Please return form to your sales representative or fax to Hi-Tech Seals @ 1.800.465.5866*

# DK109D



## Contact Information

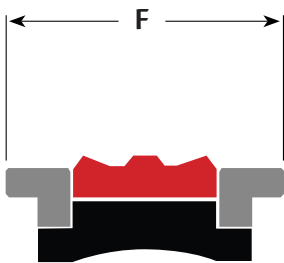
Name: \_\_\_\_\_

Company: \_\_\_\_\_

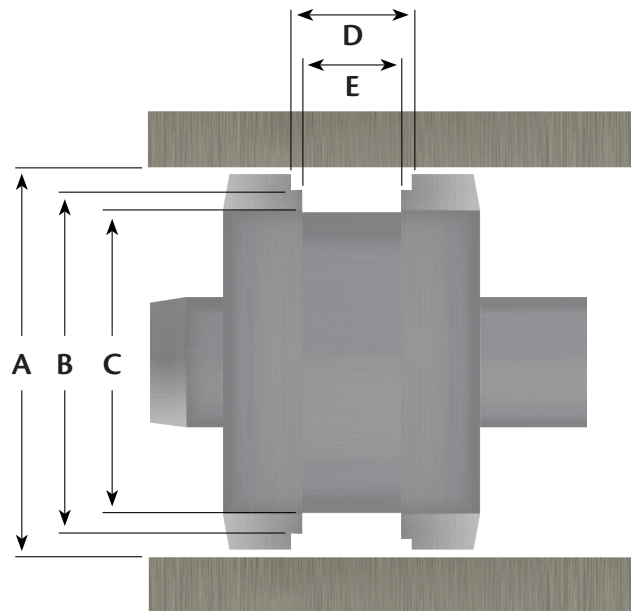
Address: \_\_\_\_\_

Email: \_\_\_\_\_

## Seal Dimensions



## Hardware Dimensions



A: \_\_\_\_\_

B: \_\_\_\_\_

C: \_\_\_\_\_

D: \_\_\_\_\_

E: \_\_\_\_\_

F: \_\_\_\_\_

**Material:** \_\_\_\_\_

*Additional Notes:* \_\_\_\_\_

\_\_\_\_\_

\_\_\_\_\_

\_\_\_\_\_

